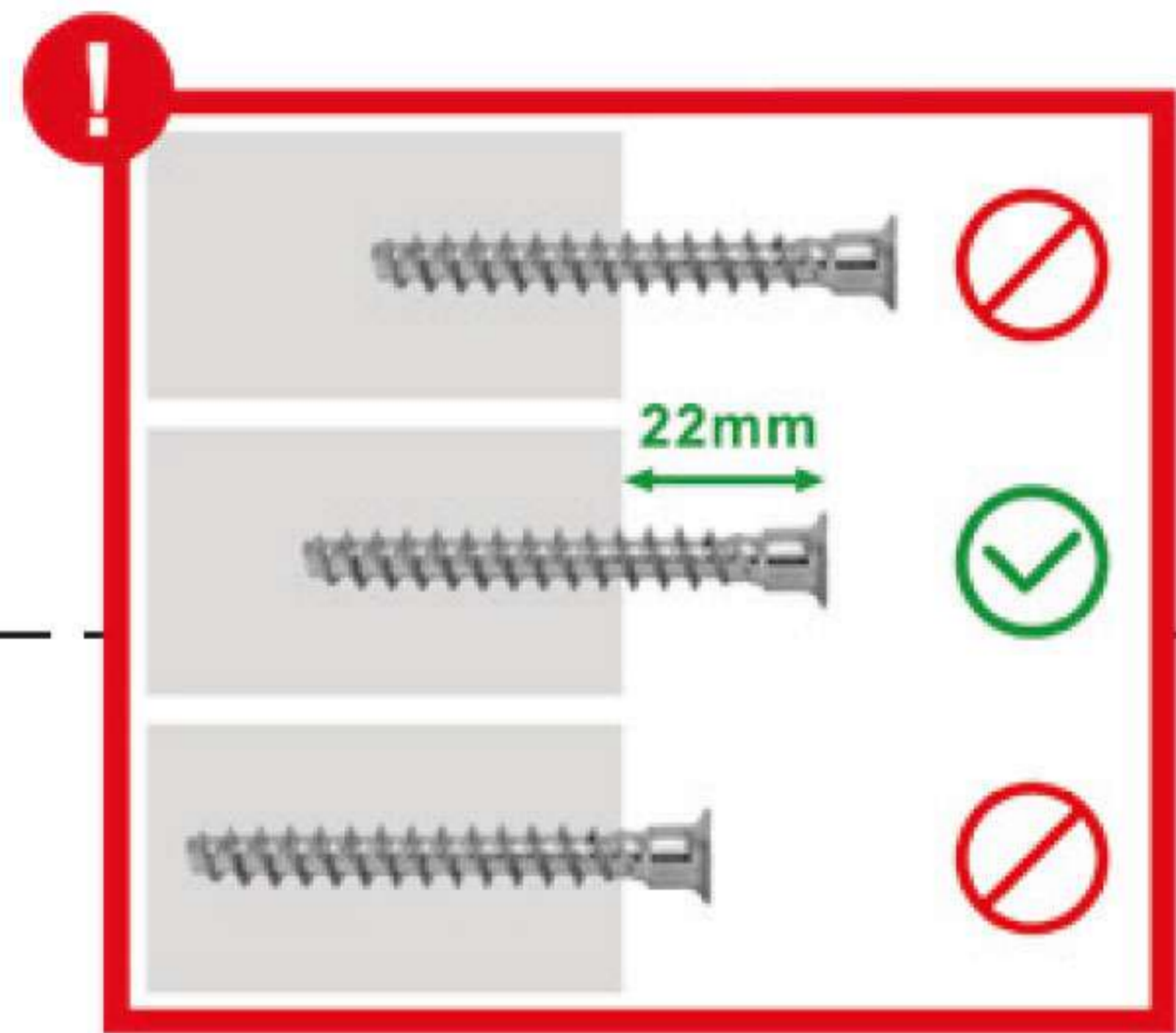
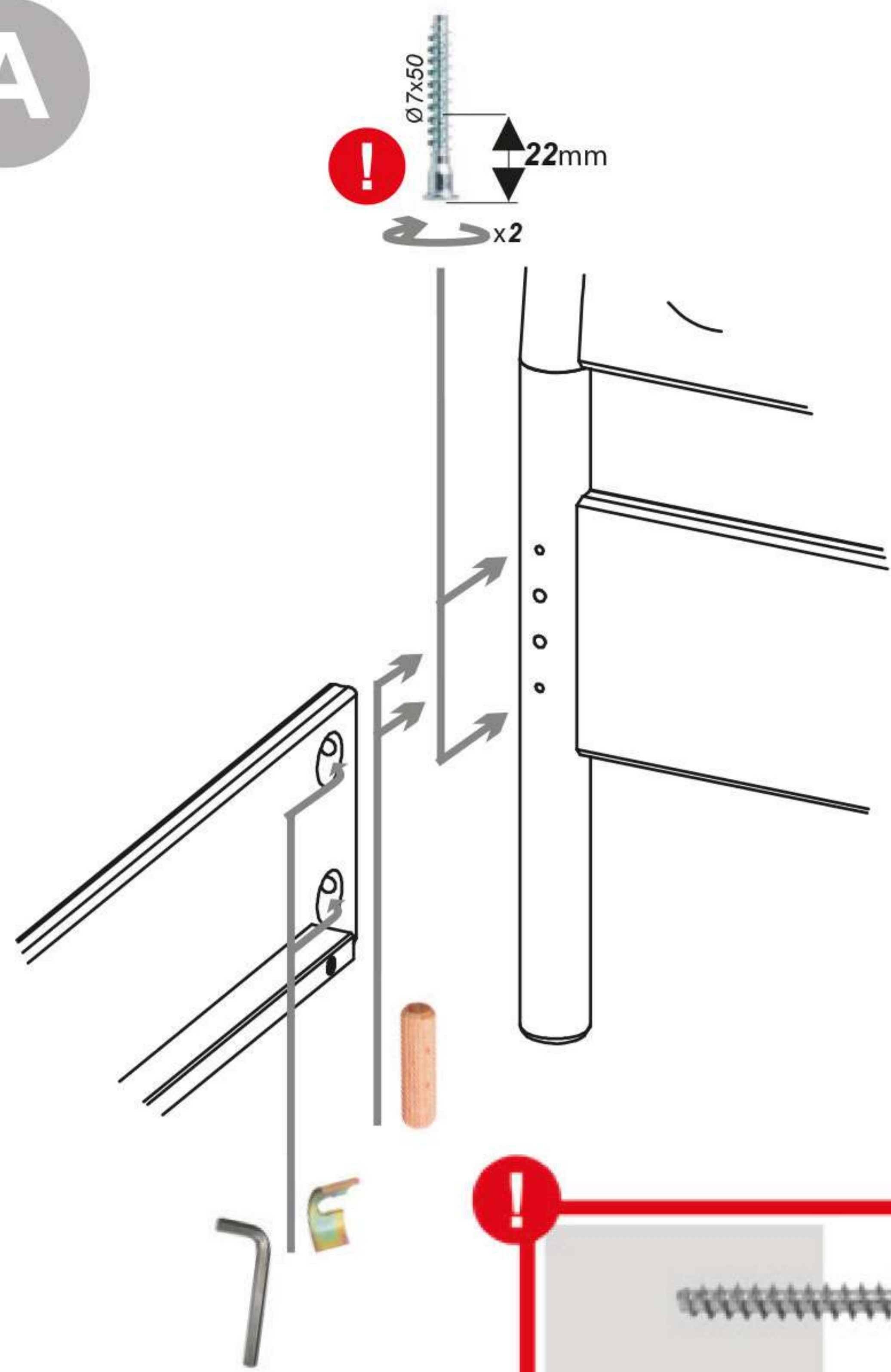
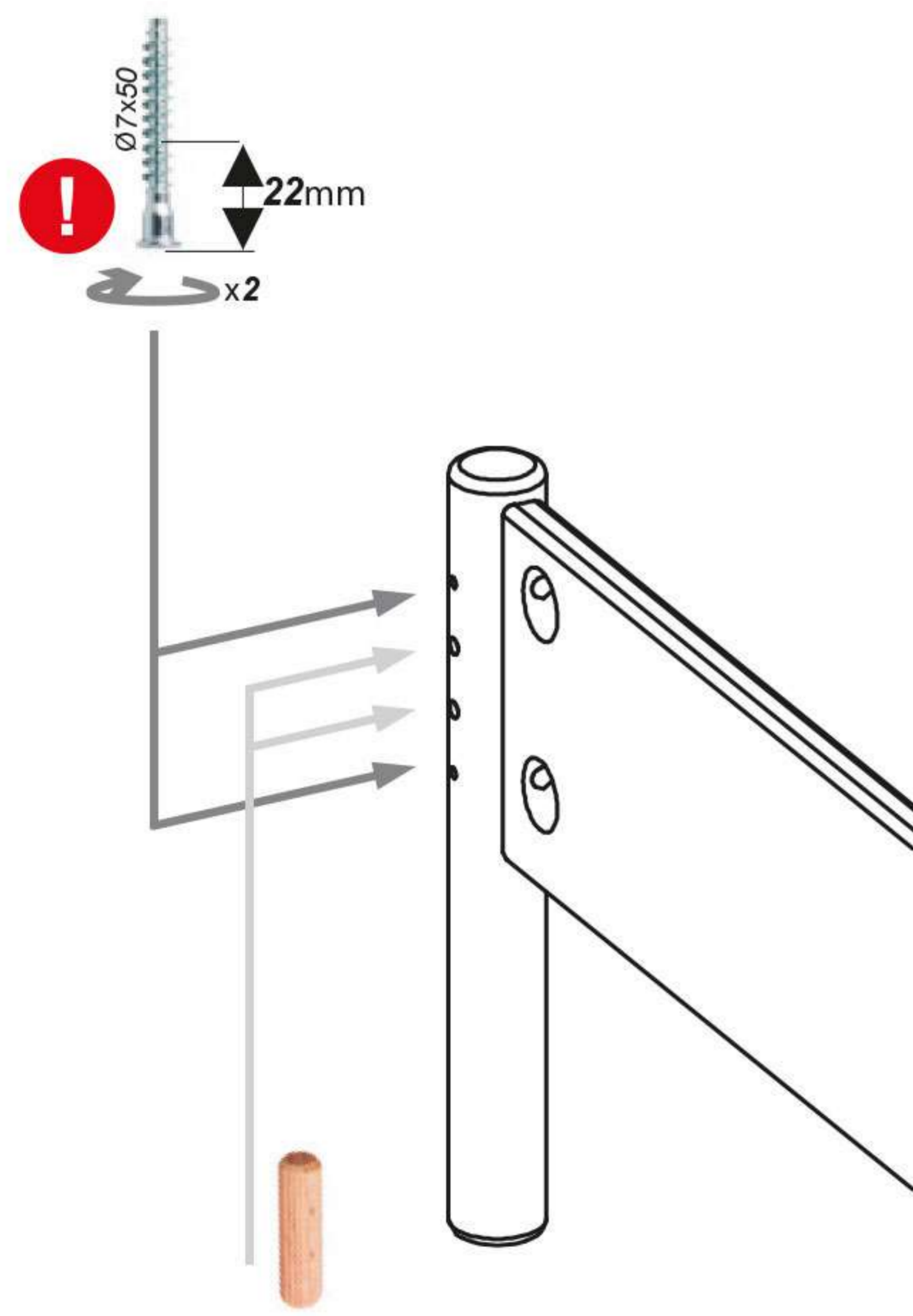


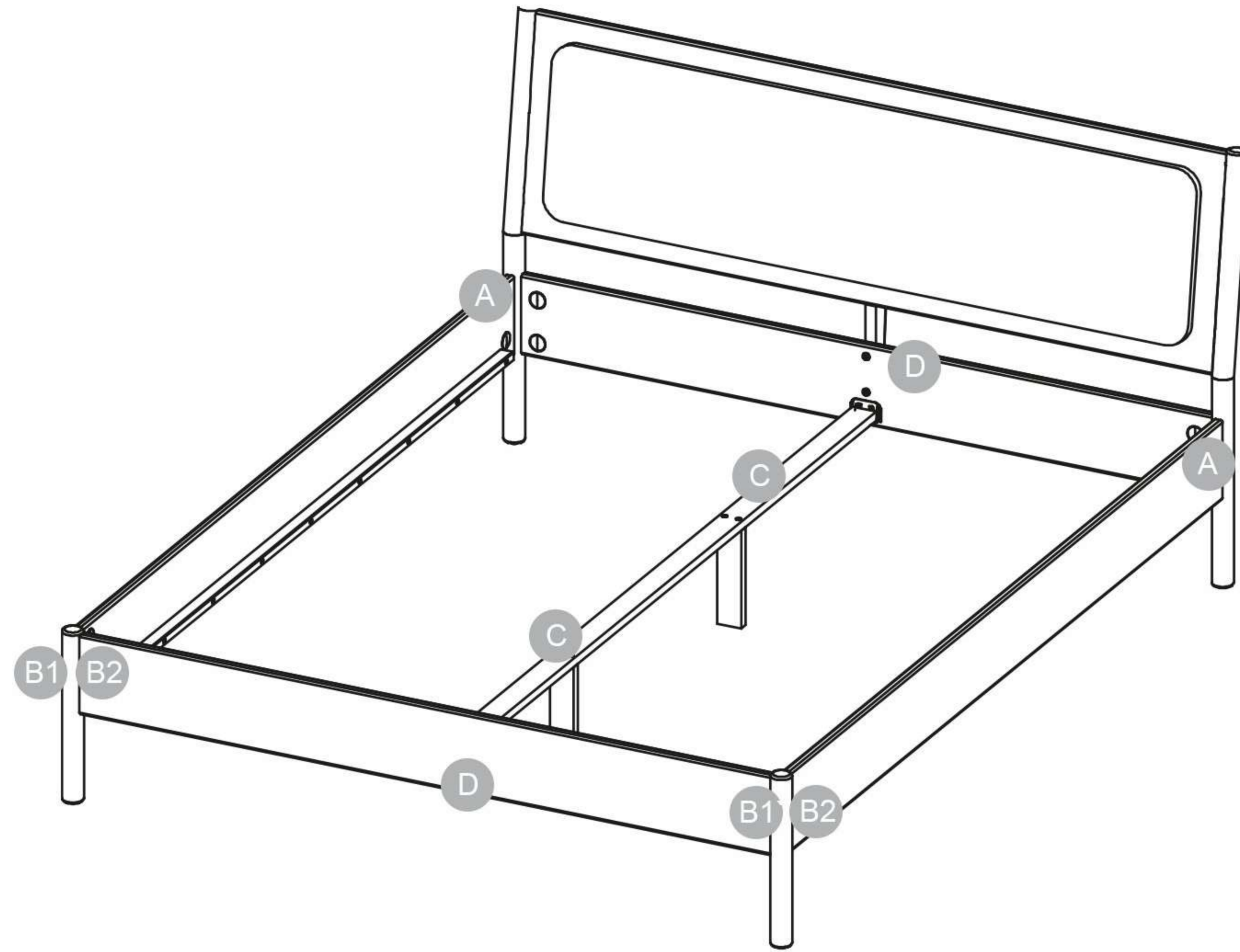
A



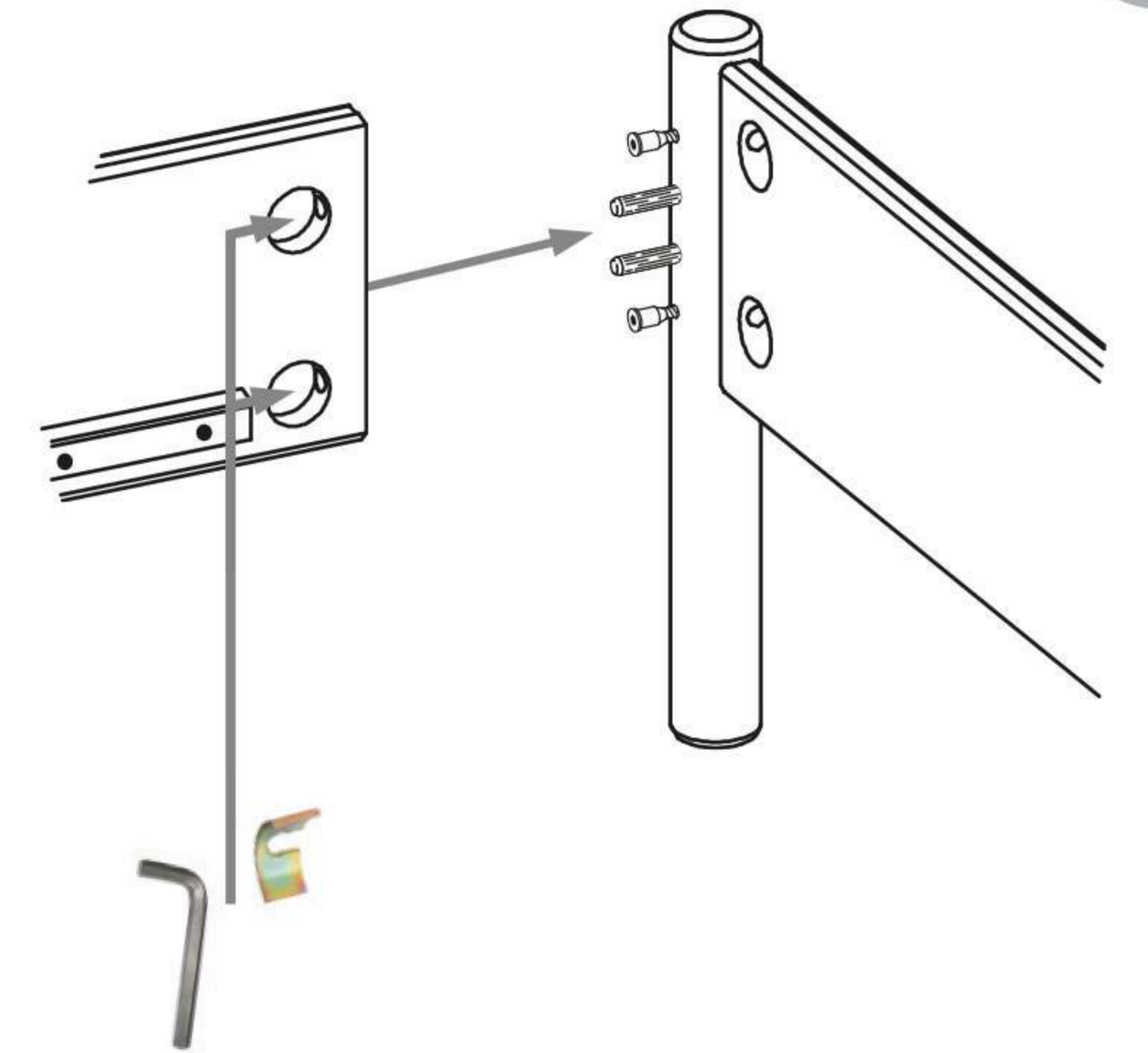
B1



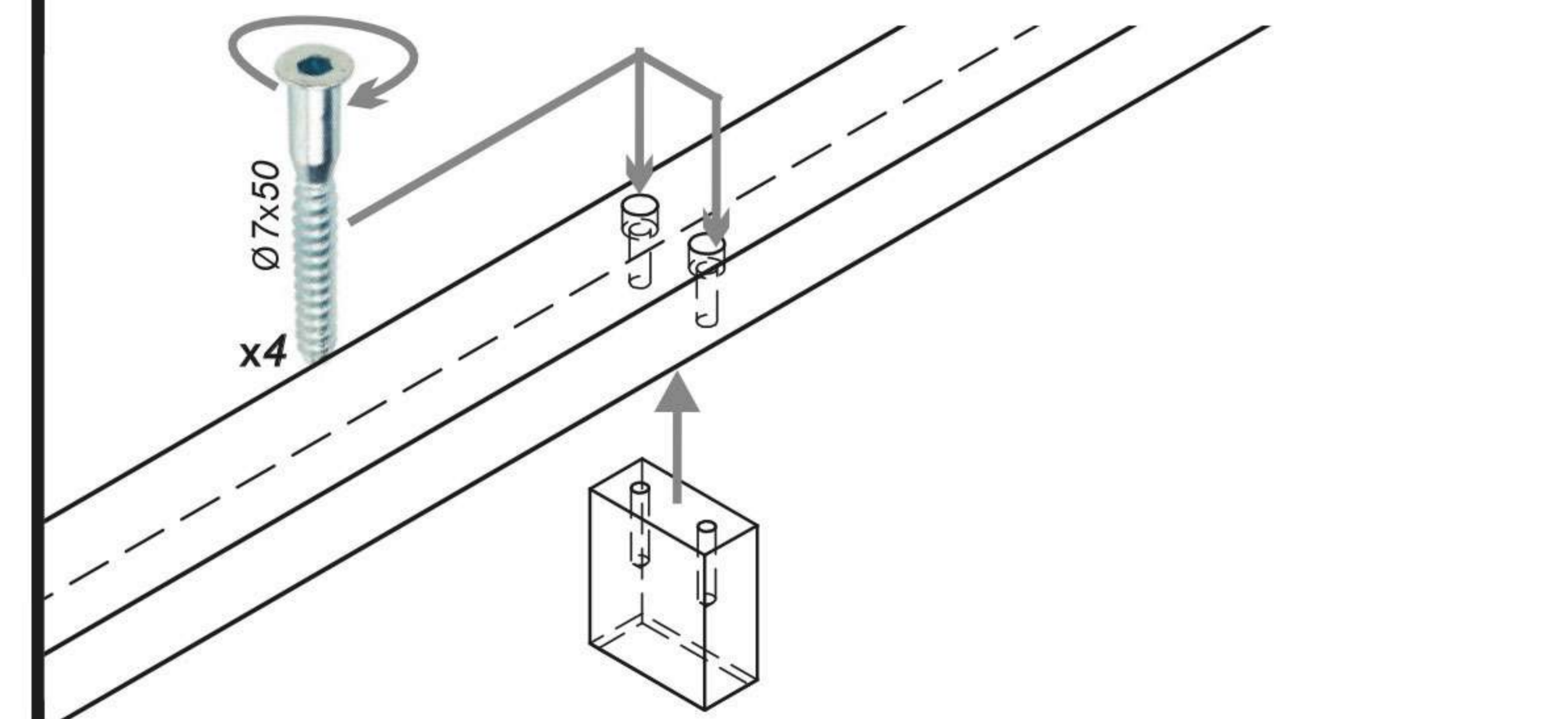
Paula 1 / 2 / 3



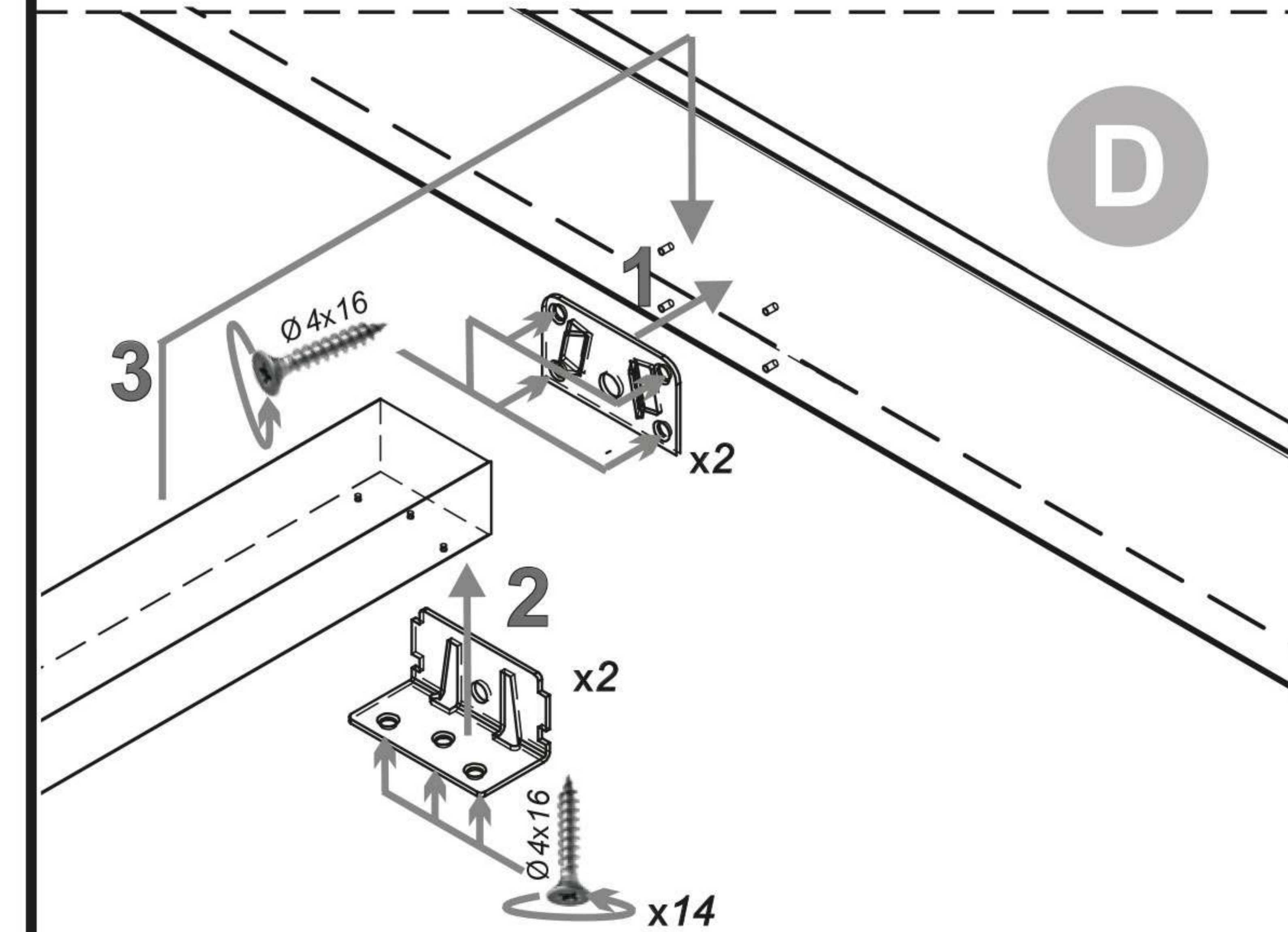
B2



C



D



	01	02	03	04	05	06
	Ø4x16	Ø7x50		Ø8x35		
	x 14	x 12	x 8	x 8	x 2	x 2
90'						
07						
S4						
x 1						